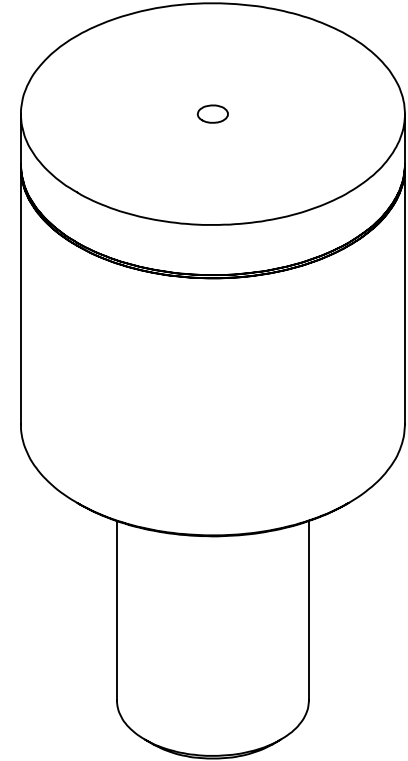
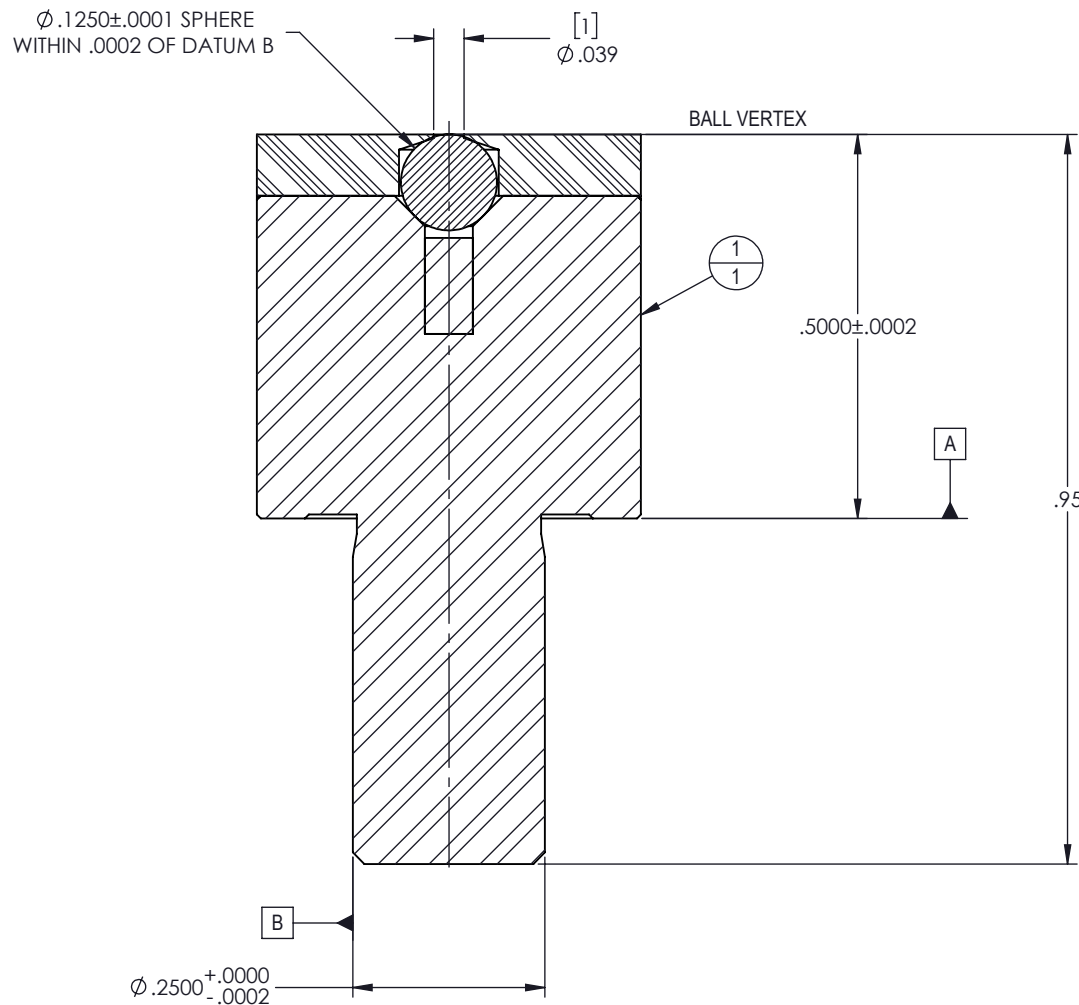
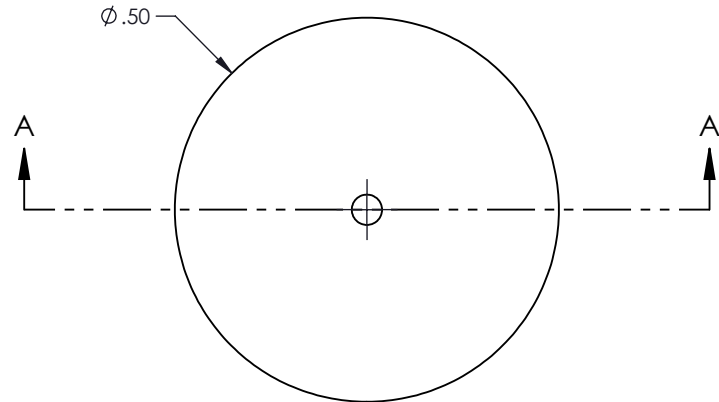


NOTES, UNLESS OTHERWISE SPECIFIED:
 1. FOR REFERENCE ONLY.


REV.	DESCRIPTION	DATE	APPROVED
A	INITIAL RELEASE	8/22/2023	C. MERLE



ISO VIEW
SCALE: N/A

SECTION A-A

ITEM NO.	QTY.	PART NUMBER	DESCRIPTION
1	1	60-00016	TARGET ASSY, REFLECTION, VERTEX

THIS DOCUMENT CONTAINS INFORMATION WHICH IS PROPRIETARY TO ARIZONA OPTICAL METROLOGY. NO REPRODUCTION OR PUBLICATION OF THIS DOCUMENT, IN WHOLE OR IN PART, SHALL BE MADE WITHOUT WRITTEN AUTHORIZATION FROM ARIZONA OPTICAL METROLOGY.	TOLERANCES			 ARIZONA OPTICAL METROLOGY 2420 W Ruthrauff Rd #160 TUCSON, AZ 85705 Phone: 520-833-5761 Email: info@CGHnulls.com	
	PLACES IN DIMENSION	.X	.XX		.XXX
	DIMENSIONS	±.05	±.01		±.005
	ANGLES	±.5°			
	FRACTIONS	±1/32			
	MATERIAL: N/A				
	HEAT TREAT: N/A				
	FINISH: N/A				
DRAWING STANDARD PER: ASME Y14.5-2009 INTERPRET WELDING SYMBOLS PER AWS A2.4	DESIGN BY: A. CLARK	DATE: 8/7/2023			
REMOVE ALL BURRS AND EDGE BREAK .01" MAXIMUM	DRAWN BY: A. CLARK	DATE: 8/7/2023			
	CHECKED BY: T. GROSS	DATE: 8/22/2023			
DO NOT SCALE DRAWING		SCALE	4:1	WEIGHT	
			0.03 LBS	SHEET	
			1 OF 1		
TITLE			VERT-050		
REV. A			REV. A		