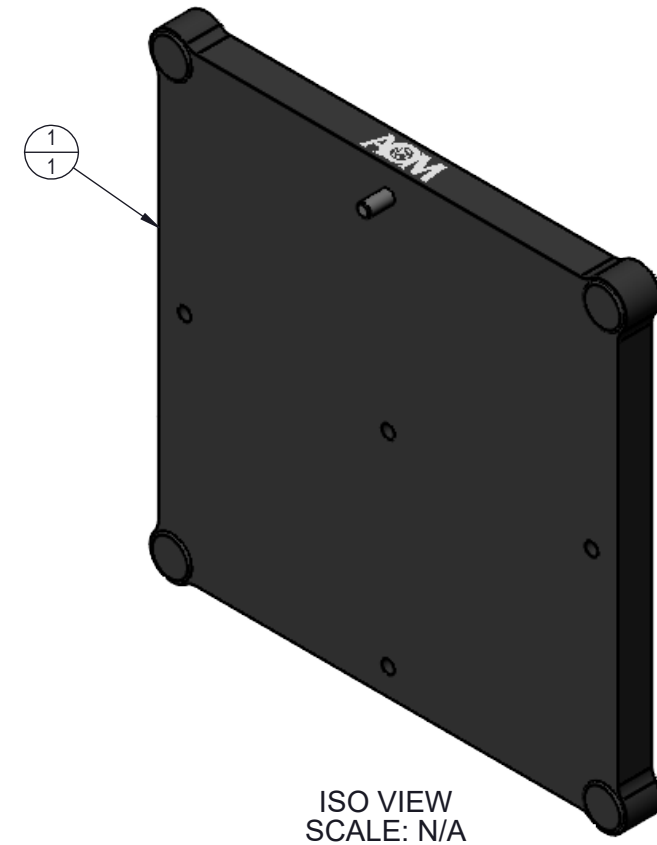
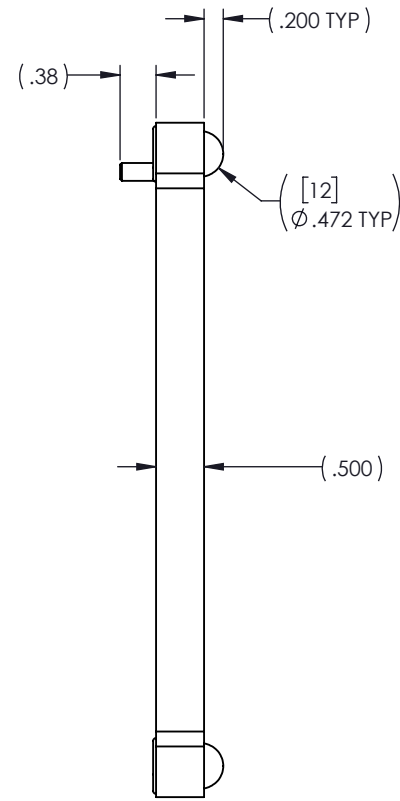
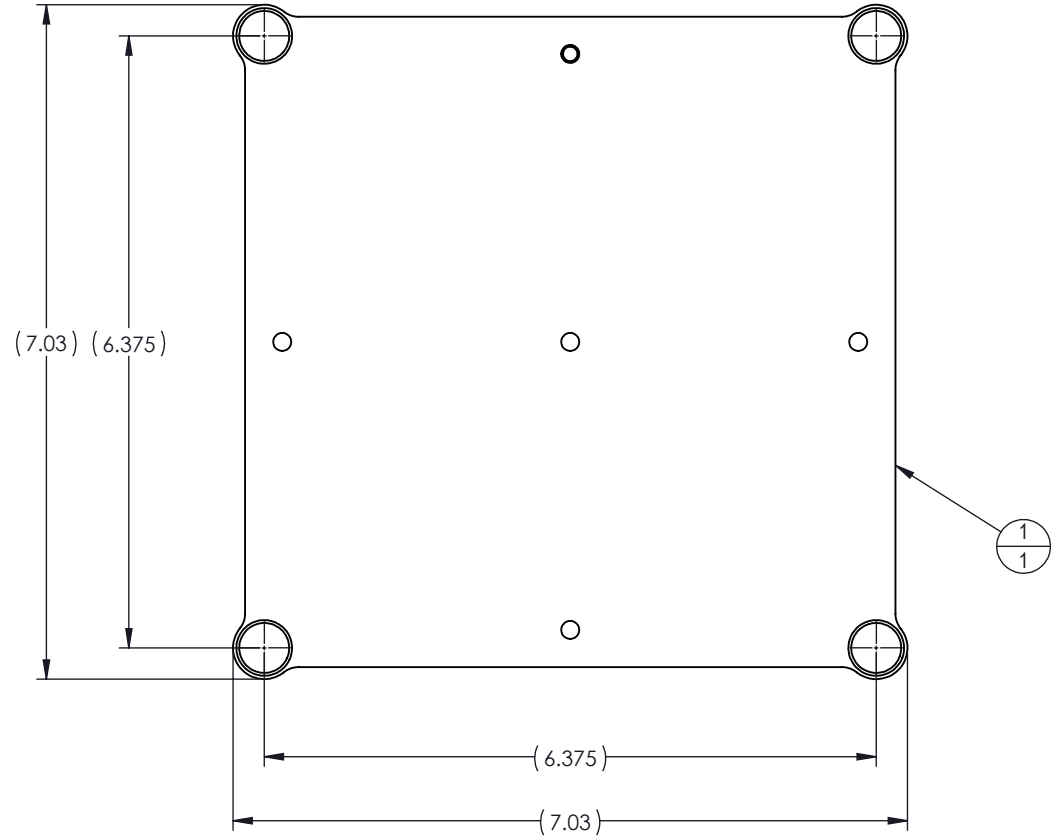



NOTES, UNLESS OTHERWISE SPECIFIED:
 1. FOR REFERENCE ONLY.

REV.	DESCRIPTION	DATE	APPROVED
A	INITIAL RELEASE	8/16/2023	C. MERLE



ITEM NO.	QTY.	PART NUMBER	DESCRIPTION
1	1	20-00007-00	ASSY, MP, 6 3/8 X 12MM

THIS DOCUMENT CONTAINS INFORMATION WHICH IS PROPRIETARY TO ARIZONA OPTICAL METROLOGY. NO REPRODUCTION OR PUBLICATION OF THIS DOCUMENT, IN WHOLE OR IN PART, SHALL BE MADE WITHOUT WRITTEN AUTHORIZATION FROM ARIZONA OPTICAL METROLOGY.	TOLERANCES			 ARIZONA OPTICAL METROLOGY 2420 W RUTHRAUFF RD #160 TUCSON, AZ 85705 Phone: 520-833-5761 Email: info@CGHnulls.com	
	PLACES IN DIMENSION	.X	.XX		.XXX
	DIMENSIONS	±.05	±.01		±.005
	ANGLES	±.5°			
	FRACTIONS	±1/32			
UNLESS OTHERWISE SPECIFIED: ALL DIMENSIONS ARE IN INCHES AND APPLY AFTER COATING/PLATING.	MATERIAL: N/A			TITLE PLATFORM, METROLOGY, BLANK, MP6	
DRAWING STANDARD PER: ASME Y14.5-2009 INTERPRET WELDING SYMBOLS PER AWS A2.4	HEAT TREAT: N/A				
REMOVE ALL BURRS AND EDGE BREAK .01" MAXIMUM	FINISH: N/A			SIZE B	
DO NOT SCALE DRAWING	DESIGN BY: A. CLARK	DATE: 3/27/2023	DWG NO. MP6-BLANK		
	DRAWN BY: A. CLARK	DATE: 3/27/2023	REV. A		
	CHECKED BY: T. GROSS	DATE: 8/16/2023	SCALE 1:2	WEIGHT 2.30 LBS SHEET 1 OF 1	