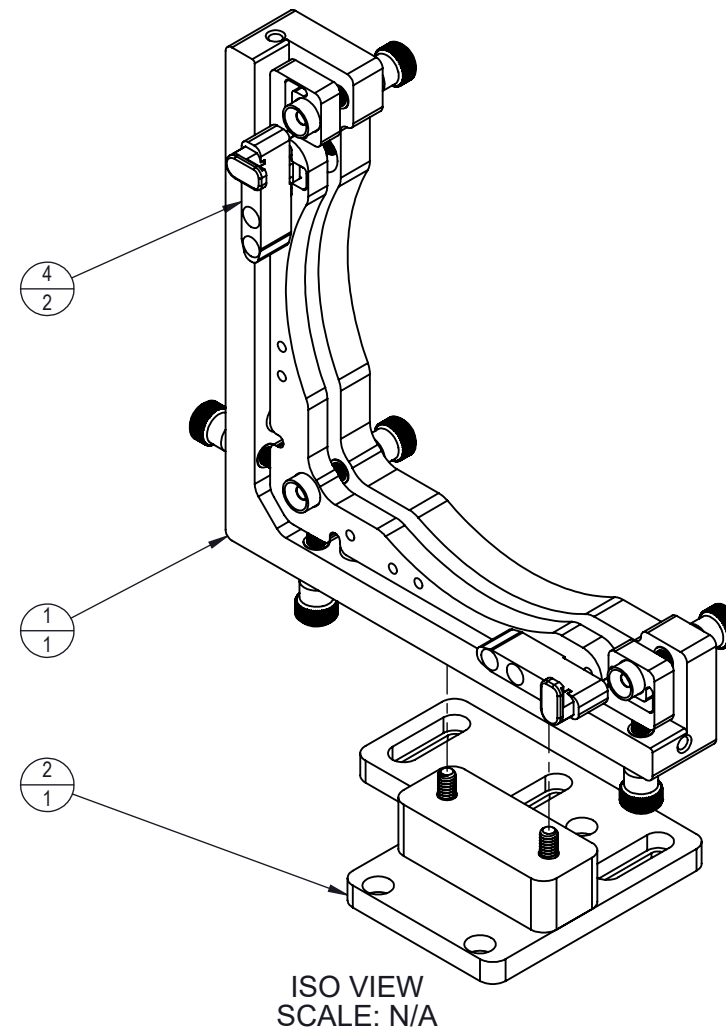
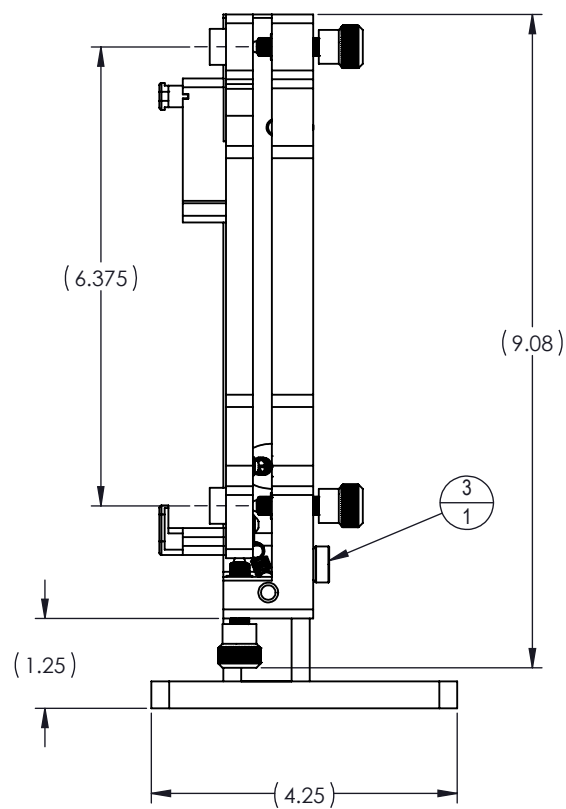
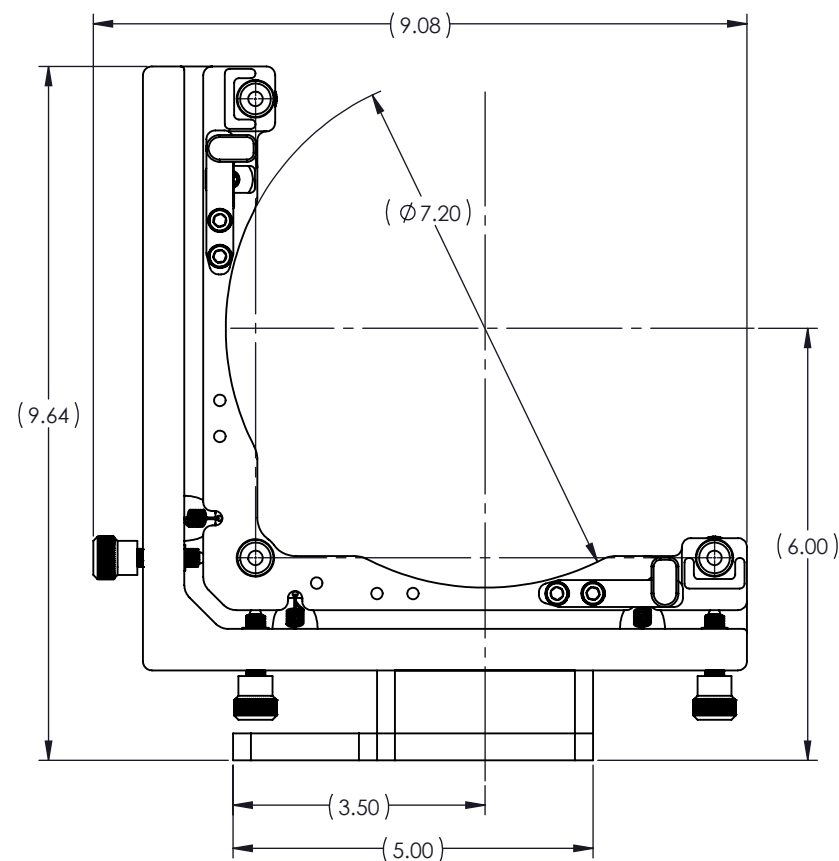
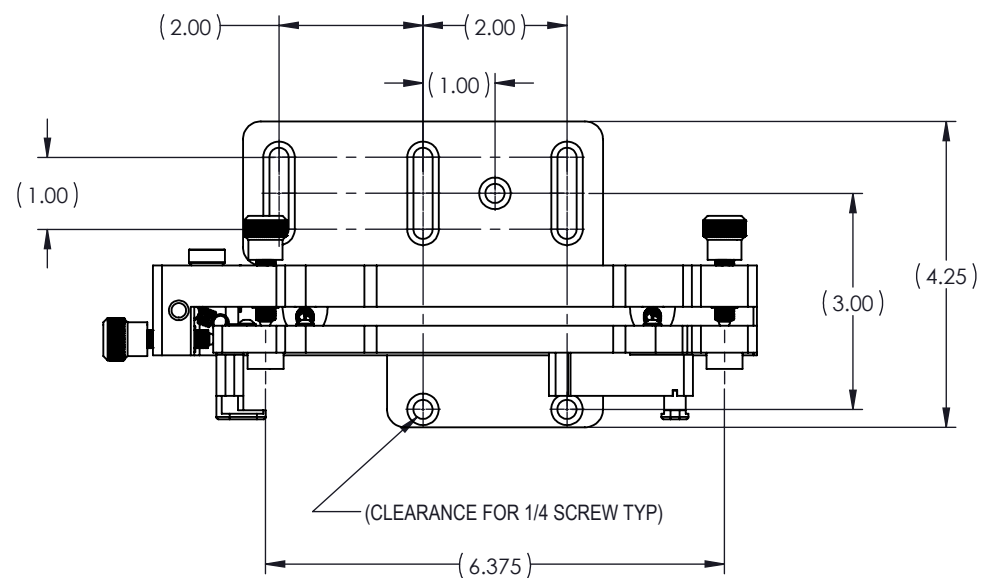




NOTES, UNLESS OTHERWISE SPECIFIED:
 1. FOR REFERENCE ONLY.

REV.	DESCRIPTION	DATE	APPROVED
A	INITIAL RELEASE	4/20/2022	J. BEVERAGE
B	ADDED ITEMS 3 & 4 AND UPDATED GEOMETRY	1/6/2023	J. BEVERAGE



ITEM NO.	QTY.	PART NUMBER	DESCRIPTION
1	1	20-00001	ASSY, STAGE, 6 3/8 X 12MM
2	1	20-00003	KIT, BASE, FP6, 6 CL
3	1	20-00017	ASSY, SPACER, SEAT, 2°
4	2	20-00077	ASSY, CLAMP, CANTILEVERED

THIS DOCUMENT CONTAINS INFORMATION WHICH IS PROPRIETARY TO ARIZONA OPTICAL METROLOGY. NO REPRODUCTION OR PUBLICATION OF THIS DOCUMENT, IN WHOLE OR IN PART, SHALL BE MADE WITHOUT WRITTEN AUTHORIZATION FROM ARIZONA OPTICAL METROLOGY.	TOLERANCES PLACES IN DIMENSION: .X .XX .XXX DIMENSIONS: ±.05 ±.01 ±.005 ANGLES: ±.5° FRACTIONS: ±1/32			 ARIZONA OPTICAL METROLOGY 2420 W RUTHRAUFF RD #160 TUCSON, AZ 85705 Phone: 520-833-5761 Email: info@CGHnulls.com	
	MATERIAL: N/A				
UNLESS OTHERWISE SPECIFIED: ALL DIMENSIONS ARE IN INCHES AND APPLY AFTER COATING/PLATING.	HEAT TREAT: N/A FINISH: N/A			TITLE: 6-DOF C6 FINE POSITIONING STAGE, 6" CL	
DRAWING STANDARD PER: ASME Y14.5-2009 INTERPRET WELDING SYMBOLS PER AWS A2.4	DESIGN BY: C CALDWELL	DATE: 4/20/2022	SIZE: B		DWG NO.: FP6-H600
REMOVE ALL BURRS AND EDGE BREAK .01" MAXIMUM	DRAWN BY: C CALDWELL	DATE: 4/20/2022	SCALE: 3:8	WEIGHT: 3.19 LBS	SHEET: 1 OF 1
 DO NOT SCALE DRAWING	CHECKED BY: J. BEVERAGE	DATE: 4/20/2022			