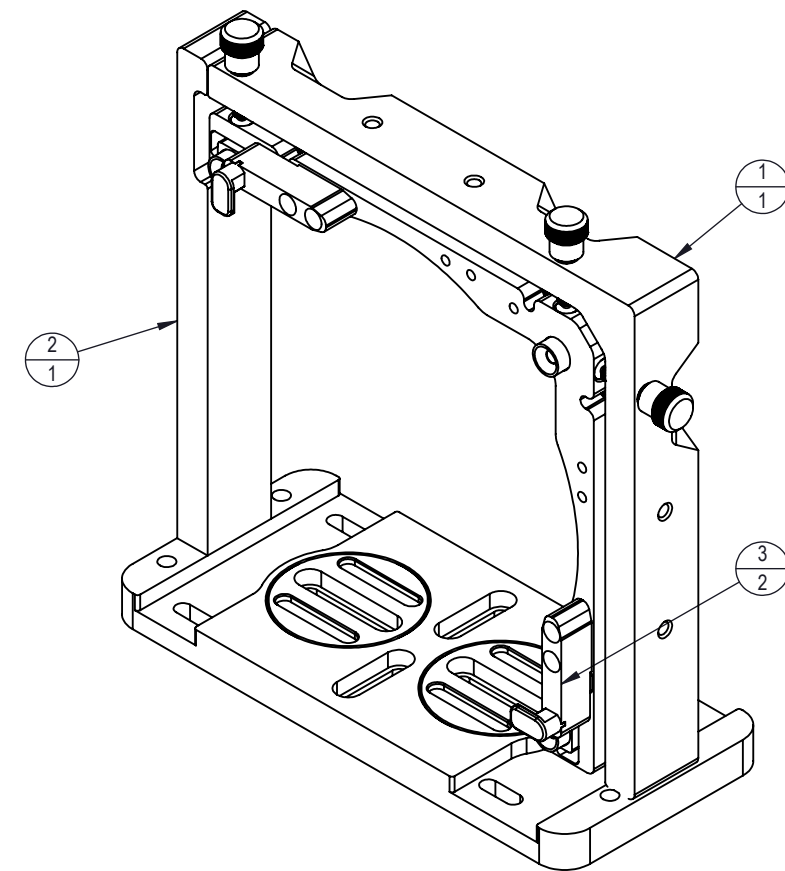
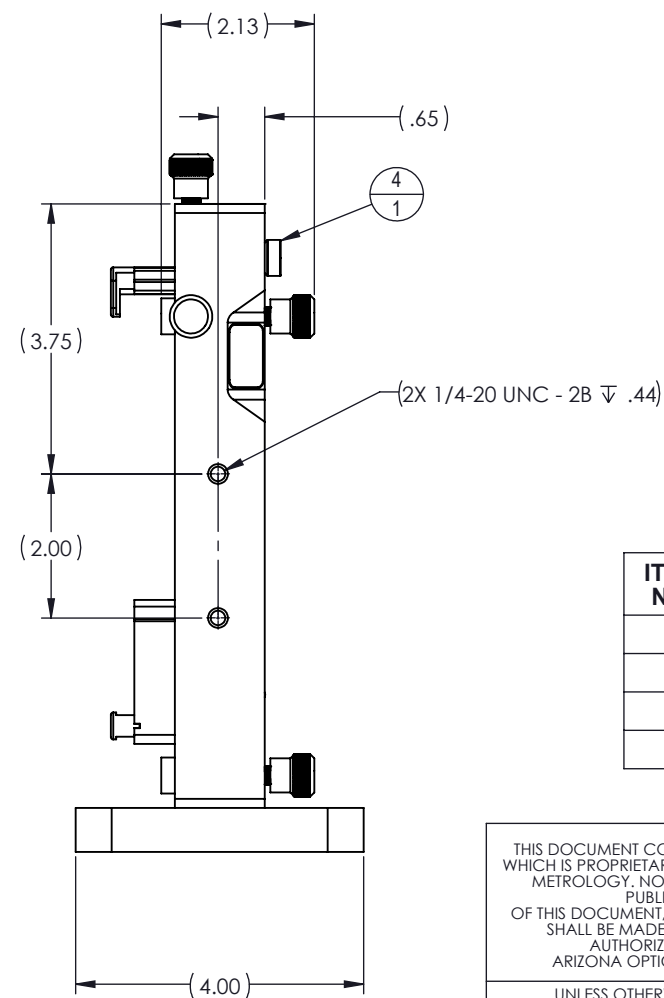
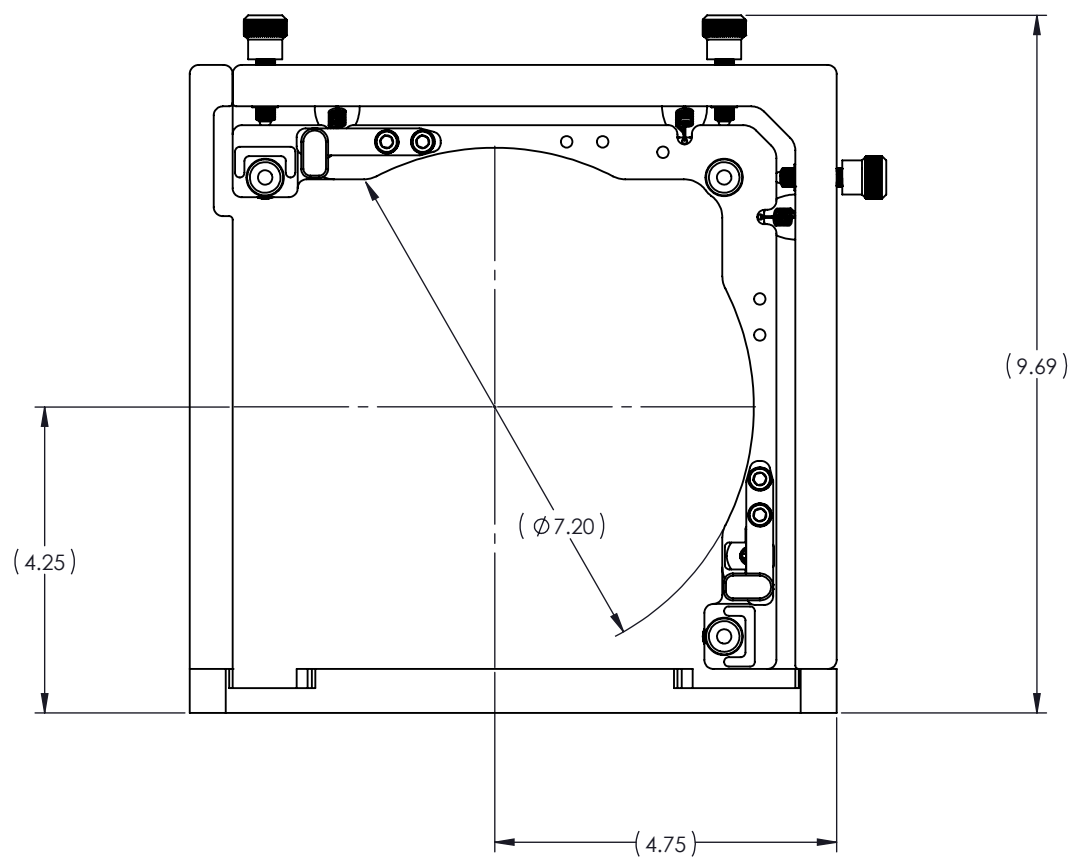
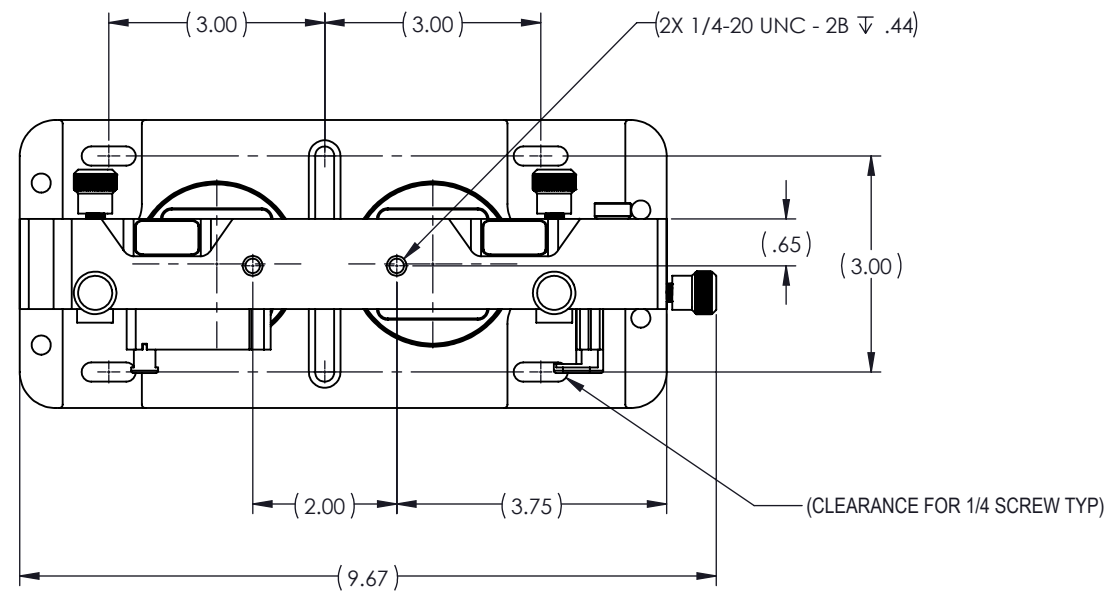


NOTES, UNLESS OTHERWISE SPECIFIED:

1. FOR REFERENCE ONLY.

REV.	DESCRIPTION	DATE	APPROVED
A	INITIAL RELEASE	4/18/2022	J. BEVERAGE
B	ADDED ITEMS 3 & 4 AND UPDATED GEOMETRY	1/6/2023	J. BEVERAGE



ISO VIEW  
SCALE: N/A

ITEM NO.	QTY.	PART NUMBER	DESCRIPTION
1	1	20-00001	ASSY, STAGE, 6 3/8 X 12MM
2	1	20-00002	KIT, BASE, FP6, 4 1/4 CL
3	2	20-00077	ASSY, CLAMP, CANTILEVERED
4	1	20-00017	ASSY, SPACER, SEAT, 2°

THIS DOCUMENT CONTAINS INFORMATION WHICH IS PROPRIETARY TO ARIZONA OPTICAL METROLOGY. NO REPRODUCTION OR PUBLICATION OF THIS DOCUMENT, IN WHOLE OR IN PART, SHALL BE MADE WITHOUT WRITTEN AUTHORIZATION FROM ARIZONA OPTICAL METROLOGY.

UNLESS OTHERWISE SPECIFIED: ALL DIMENSIONS ARE IN INCHES AND APPLY AFTER COATING/PLATING.

DRAWING STANDARD PER: ASME Y14.5-2009 INTERPRET WELDING SYMBOLS PER AWS A2.4

REMOVE ALL BURRS AND EDGE BREAK .01" MAXIMUM



DO NOT SCALE DRAWING

TOLERANCES			
PLACES IN DIMENSION	.X	.XX	.XXX
DIMENSIONS	±.05	±.01	±.005
ANGLES	±.5°		
FRACTIONS	±1/32		
MATERIAL:	N/A		
HEAT TREAT:	N/A		
FINISH:	N/A		

DESIGN BY: C. CALDWELL	DATE: 4/18/2022
DRAWN BY: C. CALDWELL	DATE: 4/18/2022
CHECKED BY: J. BEVERAGE	DATE: 4/18/2022



ARIZONA OPTICAL METROLOGY  
2420 W Ruthrauff Rd #160  
TUCSON, AZ 85705  
Phone: 520-833-5761  
Email: info@CGHnulls.com

TITLE  
6-DOF C6 FINE POSITIONING STAGE, 4 1/4" CL

SIZE <b>B</b>	DWG NO. FP6-H425	REV. <b>B</b>
------------------	---------------------	------------------

SCALE 3:8	WEIGHT 4.54 LBS	SHEET 1 OF 1
--------------	--------------------	-----------------