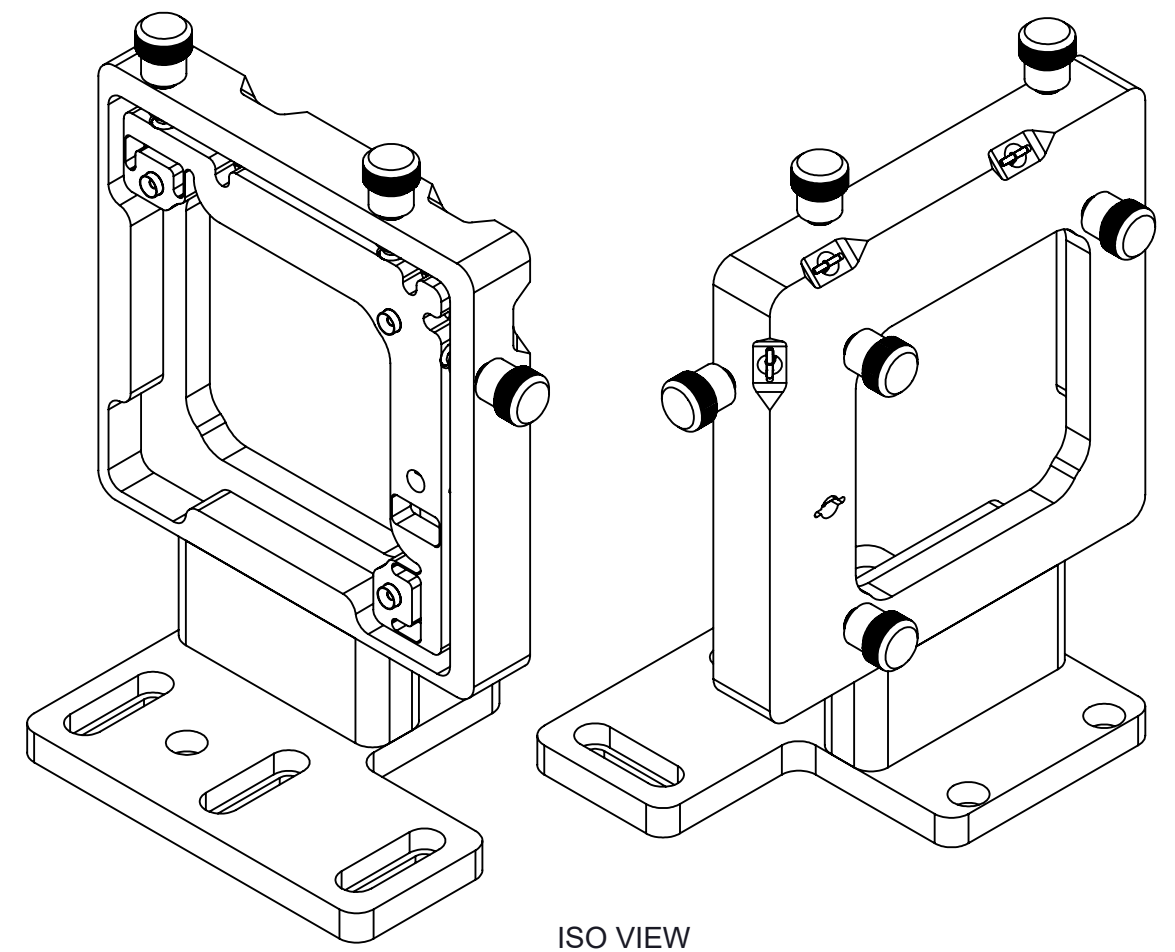
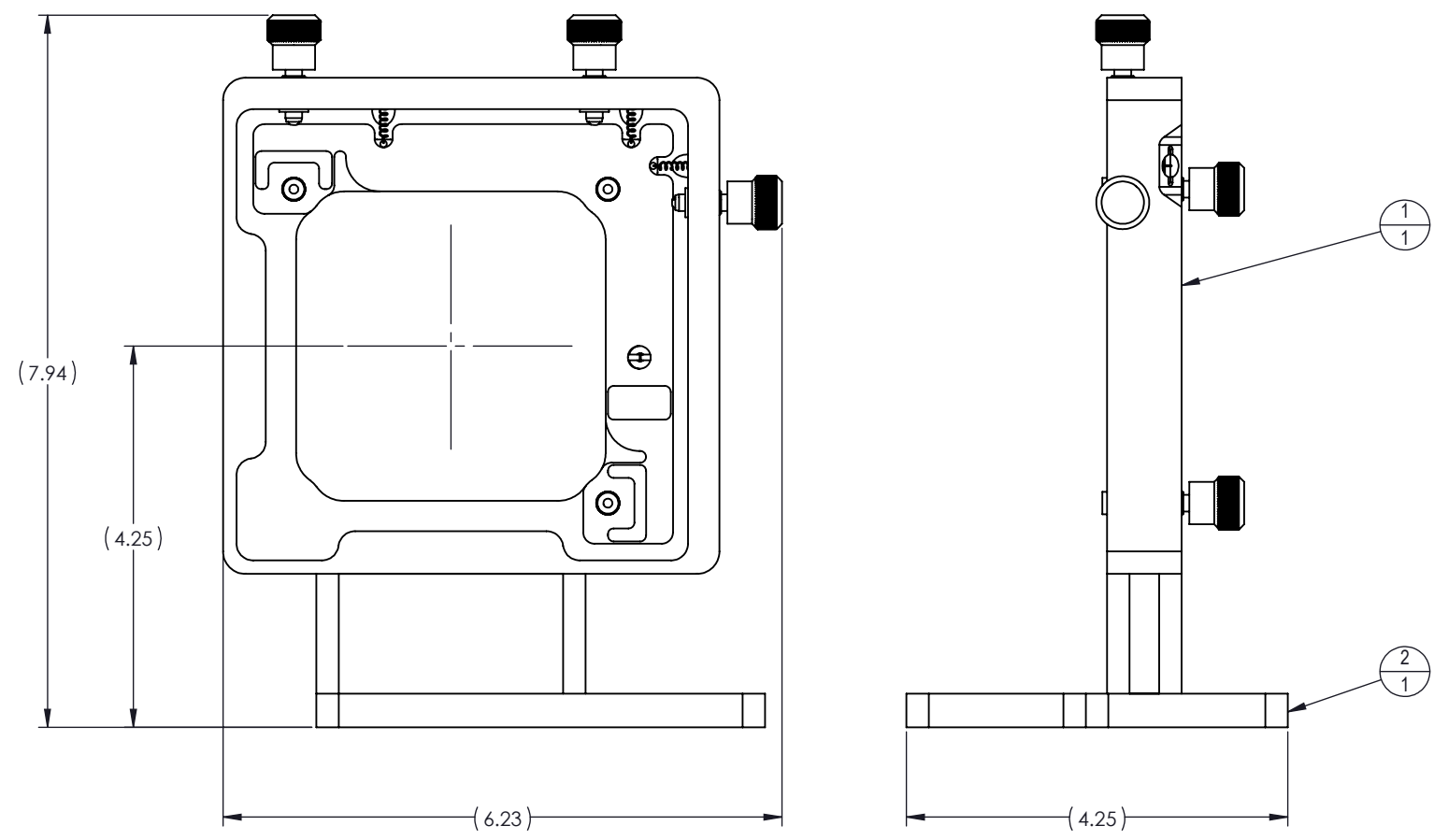




NOTES, UNLESS OTHERWISE SPECIFIED:
 1. FOR REFERENCE ONLY.

REV.	DESCRIPTION	DATE	APPROVED
A	INITIAL RELEASE	1/9/2023	A. CLARK

D
C
B
A



ITEM NO.	QTY.	PART NUMBER	DESCRIPTION
1	1	20-00004	ASSY, STAGE, 3 1/2 X 1/4
2	1	20-00005	KIT, BASE, FP3, 4 1/4 CL

THIS DOCUMENT CONTAINS INFORMATION WHICH IS PROPRIETARY TO ARIZONA OPTICAL METROLOGY. NO REPRODUCTION OR PUBLICATION OF THIS DOCUMENT, IN WHOLE OR IN PART, SHALL BE MADE WITHOUT WRITTEN AUTHORIZATION FROM ARIZONA OPTICAL METROLOGY.	TOLERANCES PLACES IN DIMENSION .X .XX .XXX DIMENSIONS ±.05 ±.01 ±.005 ANGLES ±.5° FRACTIONS ±1/32			 ARIZONA OPTICAL METROLOGY 2420 W Ruthrauff Rd #160 TUCSON, AZ 85705 Phone: 520-833-5761 Email: info@CGHnulls.com
	MATERIAL: N/A HEAT TREAT: N/A FINISH: N/A			
UNLESS OTHERWISE SPECIFIED: ALL DIMENSIONS ARE IN INCHES AND APPLY AFTER COATING/PLATING.	DESIGN BY: A. CLARK	DATE: 7/26/2022	TITLE 6-DOF C3 FINE POSITIONING STAGE, 4 1/4" CL	
DRAWING STANDARD PER: ASME Y14.5-2009 INTERPRET WELDING SYMBOLS PER AWS A2.4	DRAWN BY: A. CLARK	DATE: 7/26/2022	SIZE B	DWG NO. FP3-H425
REMOVE ALL BURRS AND EDGE BREAK .01" MAXIMUM	CHECKED BY: J. BEVERAGE	DATE: 1/6/2023	SCALE 1:2	WEIGHT 2.05 LBS
 DO NOT SCALE DRAWING			SHEET 1 OF 1	REV. A

8 7 6 5 4 3 2 1