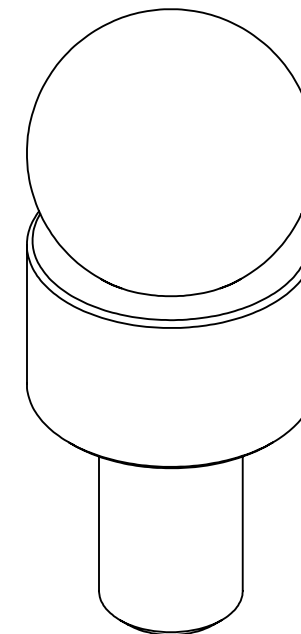
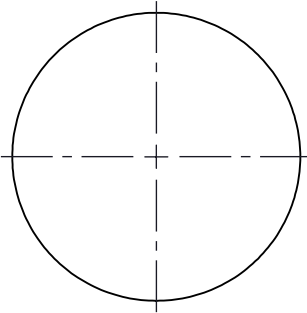


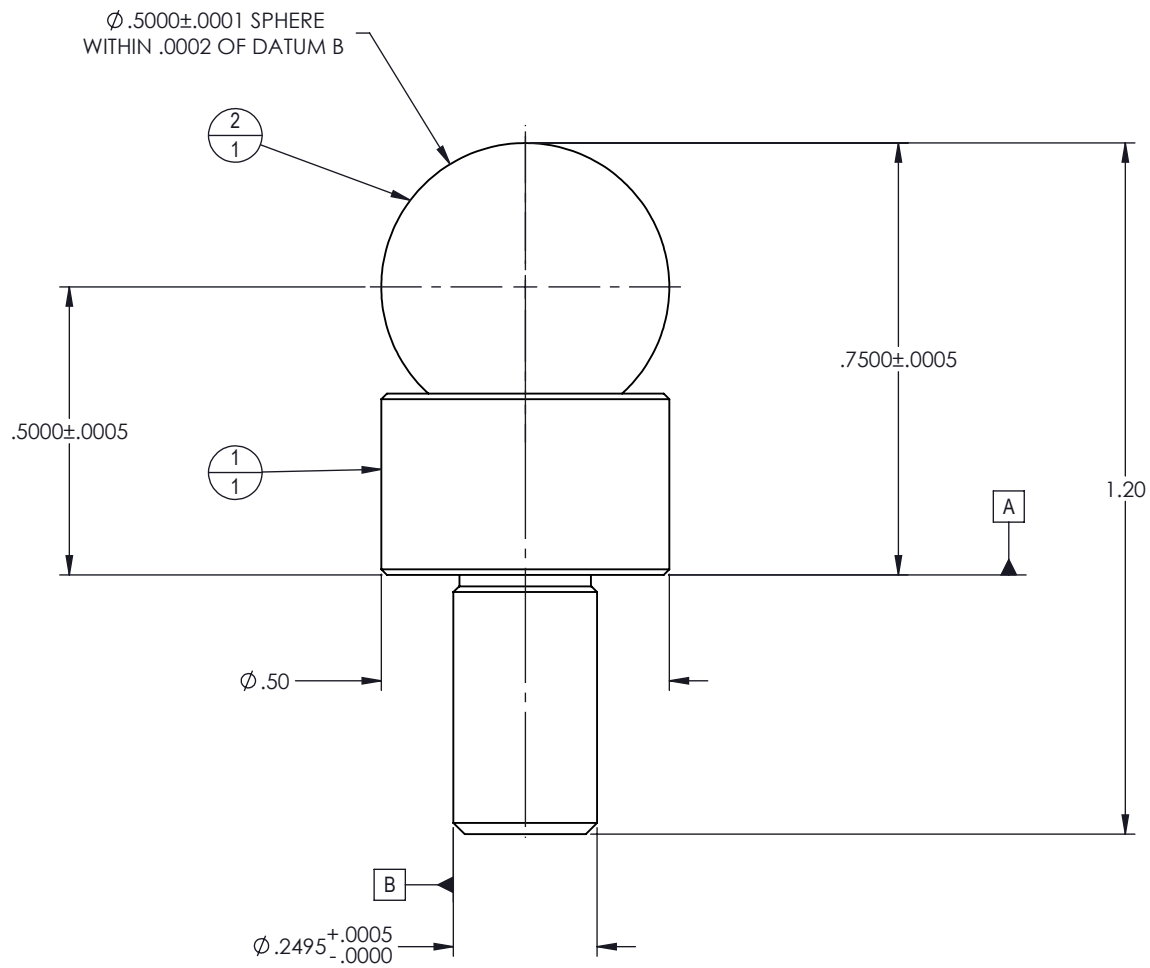
NOTES, UNLESS OTHERWISE SPECIFIED:

1. FOR REFERENCE ONLY.

REV.	DESCRIPTION	DATE	APPROVED
A	INITIAL RELEASE	8/22/2023	C. MERLE



ISO VIEW
SCALE: N/A



Ø .5000±.0001 SPHERE
WITHIN .0002 OF DATUM B


2
1

1
1

A

B

ITEM NO.	QTY.	PART NUMBER	DESCRIPTION
1	1	40-00010-04	NEST, .5SM-5000-2500-SS, .0004 TIR
2	1	30-00235	BALL, 1/2, 440C

<p>THIS DOCUMENT CONTAINS INFORMATION WHICH IS PROPRIETARY TO ARIZONA OPTICAL METROLOGY. NO REPRODUCTION OR PUBLICATION OF THIS DOCUMENT, IN WHOLE OR IN PART, SHALL BE MADE WITHOUT WRITTEN AUTHORIZATION FROM ARIZONA OPTICAL METROLOGY.</p> <p>UNLESS OTHERWISE SPECIFIED: ALL DIMENSIONS ARE IN INCHES AND APPLY AFTER COATING/PLATING.</p> <p>DRAWING STANDARD PER: ASME Y14.5-2009 INTERPRET WELDING SYMBOLS PER AWS A2.4</p> <p>REMOVE ALL BURRS AND EDGE BREAK .01" MAXIMUM</p>	<p>TOLERANCES</p> <table border="1"> <tr> <th>PLACES IN DIMENSION</th> <th>.X</th> <th>.XX</th> <th>.XXX</th> </tr> <tr> <td>DIMENSIONS</td> <td>±.05</td> <td>±.01</td> <td>±.005</td> </tr> <tr> <td>ANGLES</td> <td colspan="3">±.5°</td> </tr> <tr> <td>FRACTIONS</td> <td colspan="3">±1/32</td> </tr> </table>			PLACES IN DIMENSION	.X	.XX	.XXX	DIMENSIONS	±.05	±.01	±.005	ANGLES	±.5°			FRACTIONS	±1/32			 <p>ARIZONA OPTICAL METROLOGY 2420 W Ruthrauff Rd #160 TUCSON, AZ 85705 Phone: 520-833-5761 Email: info@CGHnulls.com</p>
	PLACES IN DIMENSION	.X	.XX	.XXX																
	DIMENSIONS	±.05	±.01	±.005																
	ANGLES	±.5°																		
FRACTIONS	±1/32																			
<p>MATERIAL: N/A</p>																				
<p>HEAT TREAT: N/A</p>																				
<p>FINISH: N/A</p>																				
<p>DESIGN BY: A. CLARK</p>		<p>DATE: 8/7/2023</p>	<p>TITLE CONFOCAL REFLECTION TARGET</p>																	
<p>DRAWN BY: A. CLARK</p>		<p>DATE: 8/7/2023</p>																		
<p>CHECKED BY: T. GROSS</p>		<p>DATE: 8/22/2023</p>	<p>SIZE B</p>																	
<p>DO NOT SCALE DRAWING</p>		<p>SCALE 3:1</p>	<p>DWG NO. CRT-050</p>																	
		<p>WEIGHT 0.04 LBS</p>	<p>REV. A</p>																	
		<p>SHEET 1 OF 1</p>																		