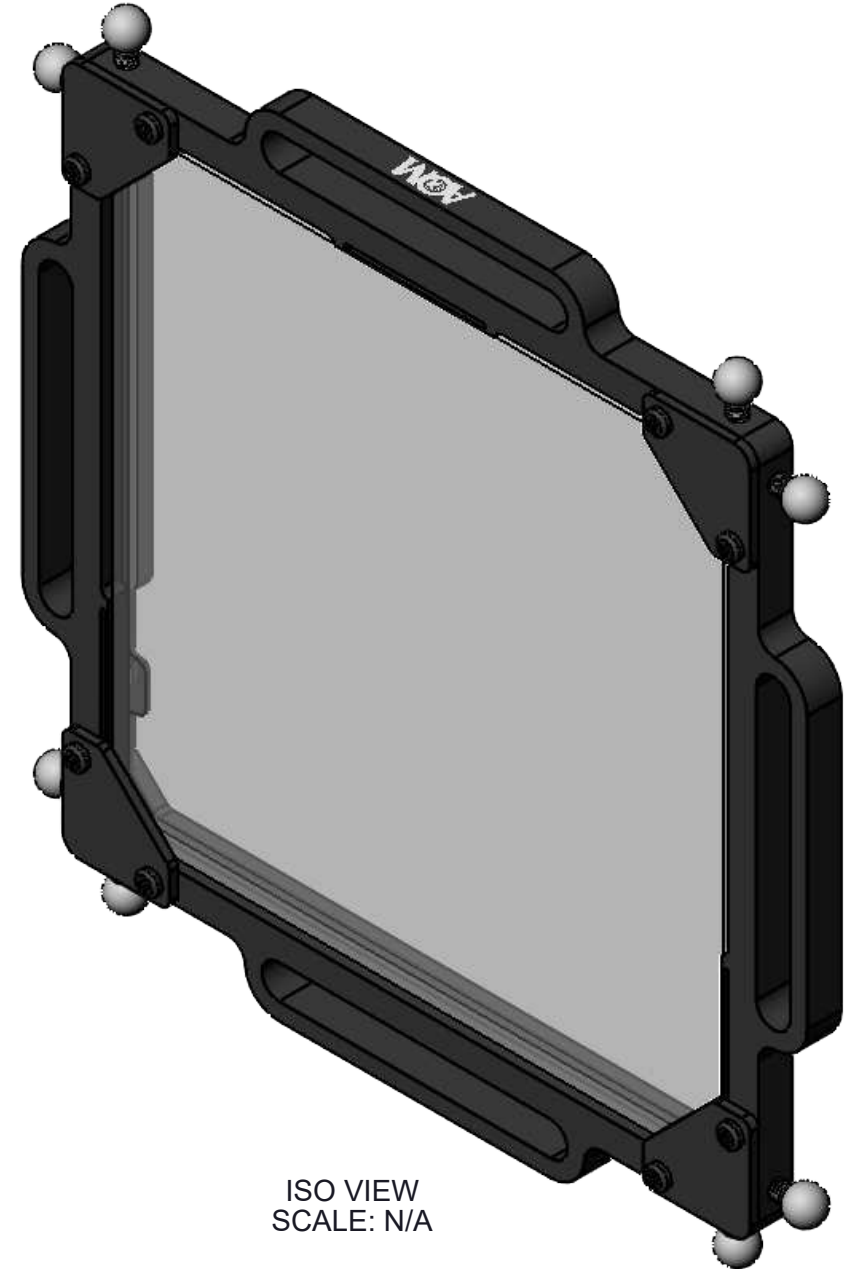
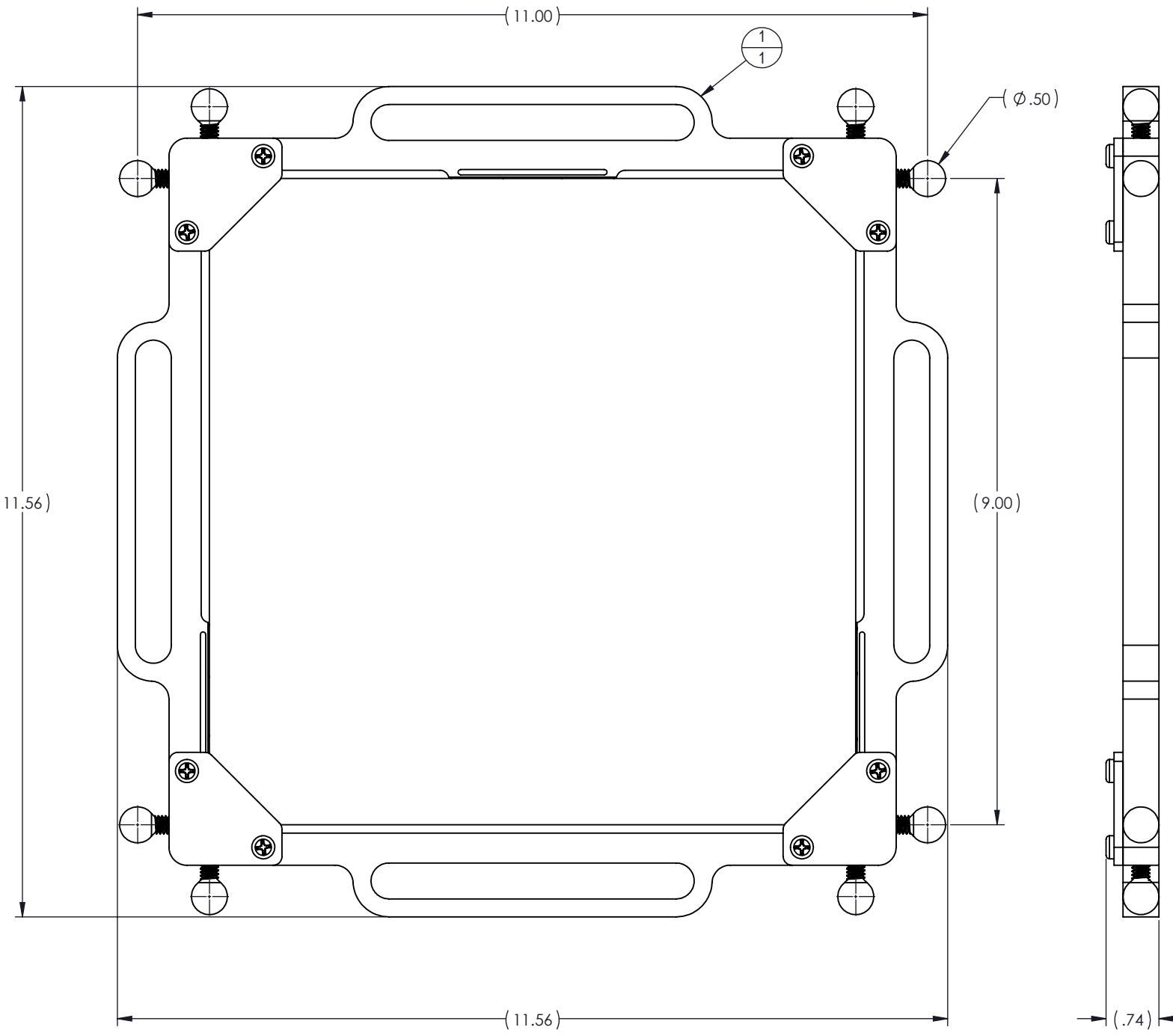




REV.	DESCRIPTION	DATE	APPROVED
A	INITIAL RELEASE	10/3/2023	C. MERLE

ITEM NO.	QTY.	PART NUMBER	DESCRIPTION
1	1	60-00009-XX	CGH ASSY, S9-C9



ISO VIEW
SCALE: N/A

<p>THIS DOCUMENT CONTAINS INFORMATION WHICH IS PROPRIETARY TO ARIZONA OPTICAL METROLOGY. NO REPRODUCTION OR PUBLICATION OF THIS DOCUMENT, IN WHOLE OR IN PART, SHALL BE MADE WITHOUT WRITTEN AUTHORIZATION FROM ARIZONA OPTICAL METROLOGY.</p> <p>UNLESS OTHERWISE SPECIFIED: ALL DIMENSIONS ARE IN INCHES AND APPLY AFTER COATING/PLATING.</p> <p>DRAWING STANDARD PER: ASME Y14.5-2009 INTERPRET WELDING SYMBOLS PER AWS A2.4</p> <p>REMOVE ALL BURRS AND EDGE BREAK .01" MAXIMUM</p>	<p>TOLERANCES</p> <table border="1"> <tr> <th>PLACES IN DIMENSION</th> <th>.X</th> <th>.XX</th> <th>.XXX</th> </tr> <tr> <td>DIMENSIONS</td> <td>±.05</td> <td>±.01</td> <td>±.005</td> </tr> <tr> <td>ANGLES</td> <td colspan="3">±.5°</td> </tr> <tr> <td>FRACTIONS</td> <td colspan="3">±1/32</td> </tr> </table>			PLACES IN DIMENSION	.X	.XX	.XXX	DIMENSIONS	±.05	±.01	±.005	ANGLES	±.5°			FRACTIONS	±1/32			 <p>ARIZONA OPTICAL METROLOGY 2420 W Ruthrauff Rd #160 TUCSON, AZ 85705 Phone: 520-833-5761 Email: info@CGHnulls.com</p>
	PLACES IN DIMENSION	.X	.XX	.XXX																
	DIMENSIONS	±.05	±.01	±.005																
	ANGLES	±.5°																		
FRACTIONS	±1/32																			
<p>MATERIAL: N/A</p>																				
<p>HEAT TREAT: N/A</p> <p>FINISH: N/A</p>																				
<p>DESIGN BY: A. CLARK DATE: 2/27/2023</p> <p>DRAWN BY: A. CLARK DATE: 2/27/2023</p>																				
 DO NOT SCALE DRAWING	<p>CHECKED BY: T. GROSS DATE: 7/28/2023</p>	<p>SCALE 1:2 WEIGHT 3.08 LBS SHEET 1 OF 1</p>	<p>TITLE CGH, 9-IN SUBSTRATE, C9 CELL</p>																	
<p>SIZE B</p>	<p>DWG NO. CGH-S9-C9</p>	<p>REV. A</p>																		