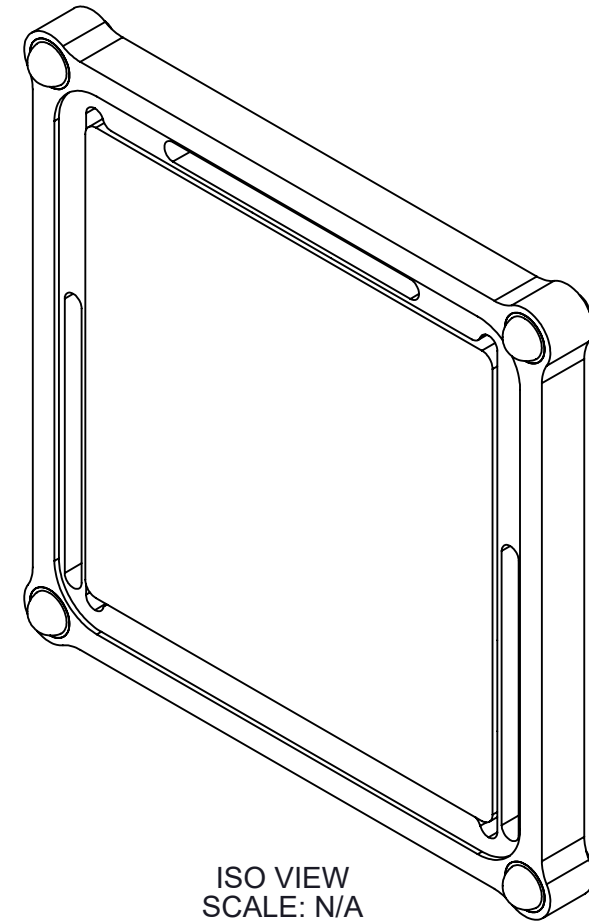
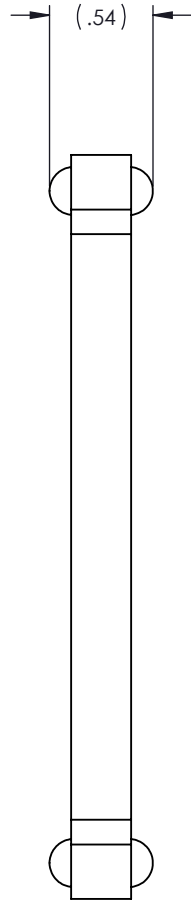
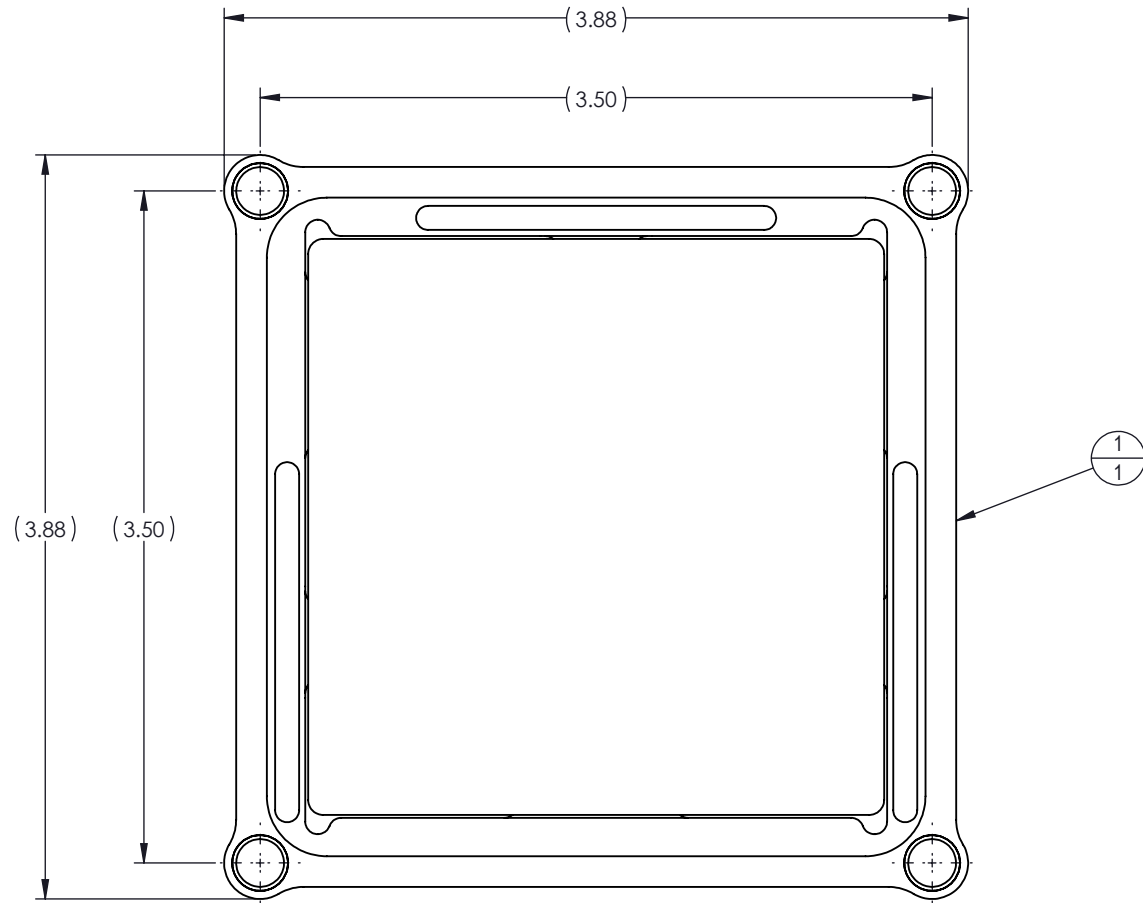


NOTES, UNLESS OTHERWISE SPECIFIED:  
 1. ITEMS 2 AND 3 ARE NOT SHOWN.


REV.	DESCRIPTION	DATE	APPROVED
A	INITIAL RELEASE	2/27/2023	A. CLARK



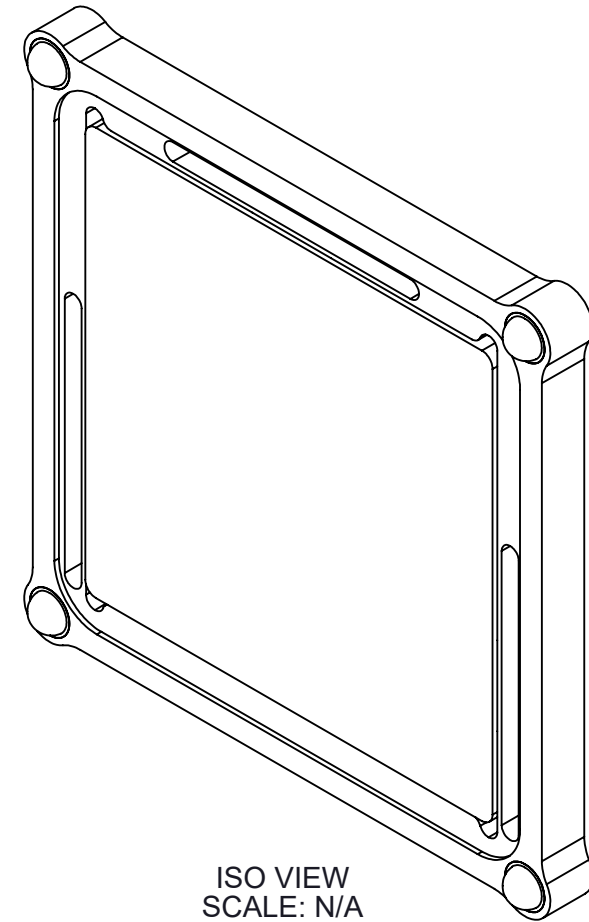
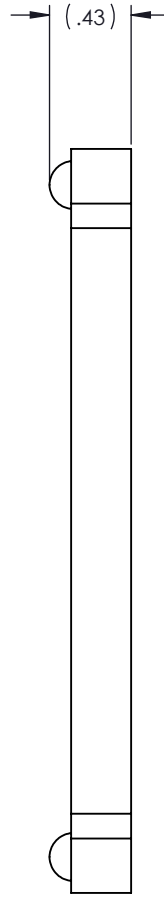
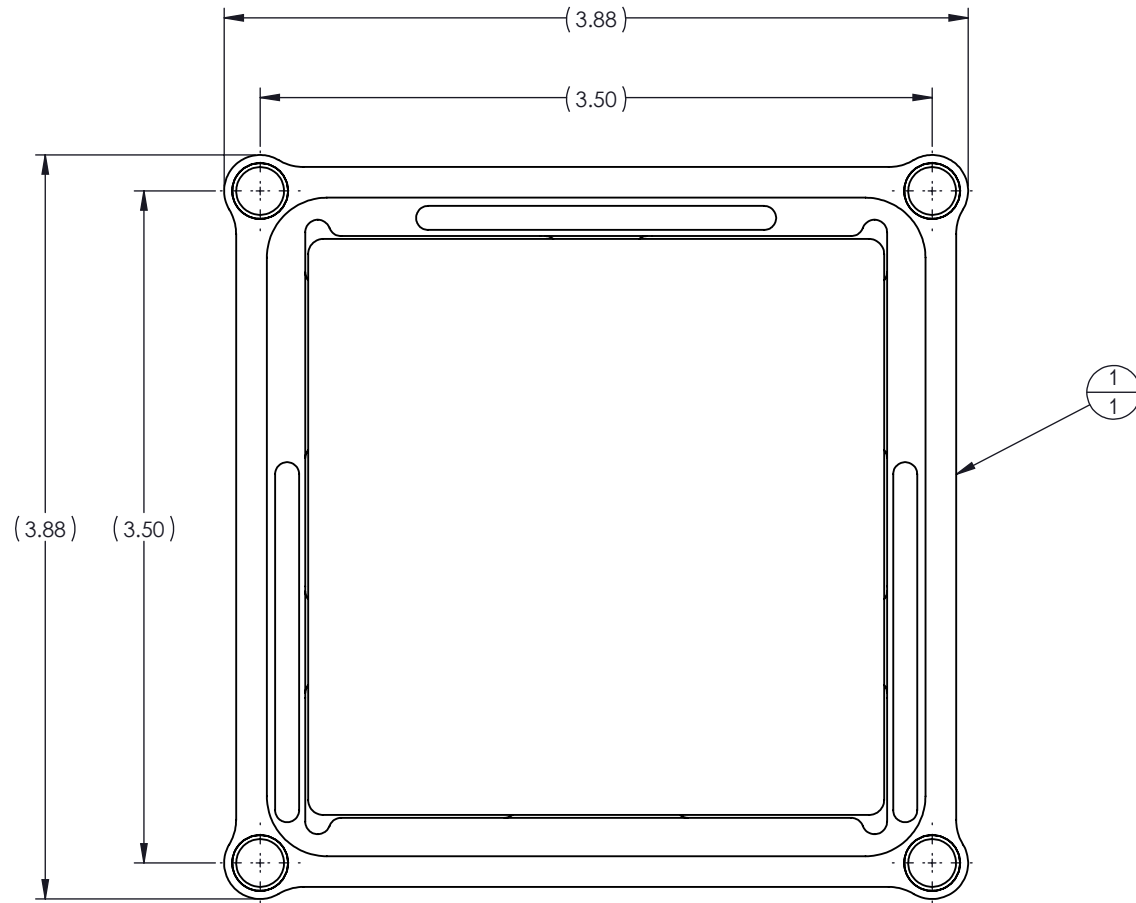
ISO VIEW  
SCALE: N/A

# CGH-S3-C3

ITEM NO.	QTY.	PART NUMBER	DESCRIPTION
1	1	60-00004	ASSY, CGH, S3-C3
2	1	30-00002	BOX, S6 CGH, ABS
3	1	20-00039	ASSY, CASE, 3X3

THIS DOCUMENT CONTAINS INFORMATION WHICH IS PROPRIETARY TO ARIZONA OPTICAL METROLOGY. NO REPRODUCTION OR PUBLICATION OF THIS DOCUMENT, IN WHOLE OR IN PART, SHALL BE MADE WITHOUT WRITTEN AUTHORIZATION FROM ARIZONA OPTICAL METROLOGY.	TOLERANCES			 ARIZONA OPTICAL METROLOGY 2420 W Ruthrauff Rd #160 TUCSON, AZ 85705 Phone: 520-833-5761 Email: info@CGHnulls.com	
	PLACES IN DIMENSION	.X	.XX		.XXX
	DIMENSIONS	±.05	±.01		±.005
	ANGLES	±.5°			
FRACTIONS	±1/32			TITLE <b>CGH, 3-IN SUBSTRATE, C3 CELL</b>	
MATERIAL: N/A					
UNLESS OTHERWISE SPECIFIED: ALL DIMENSIONS ARE IN INCHES AND APPLY AFTER COATING/PLATING.				HEAT TREAT: N/A FINISH: N/A	
DRAWING STANDARD PER: ASME Y14.5-2009 INTERPRET WELDING SYMBOLS PER AWS A2.4		DESIGN BY: A. CLARK	DATE: 9/8/2022		SIZE <b>B</b>
REMOVE ALL BURRS AND EDGE BREAK .01" MAXIMUM		DRAWN BY: A. CLARK	DATE: 9/8/2022	DWG NO. <b>CGH-S3-C3-XX</b>	
DO NOT SCALE DRAWING		CHECKED BY: J. BEVERAGE	DATE: 2/21/2023	REV. <b>A</b>	
		SCALE 1:1		WEIGHT 0.38 LBS SHEET 1 OF 3	



NOTES, UNLESS OTHERWISE SPECIFIED:  
 1. ITEMS 2 AND 3 ARE NOT SHOWN.



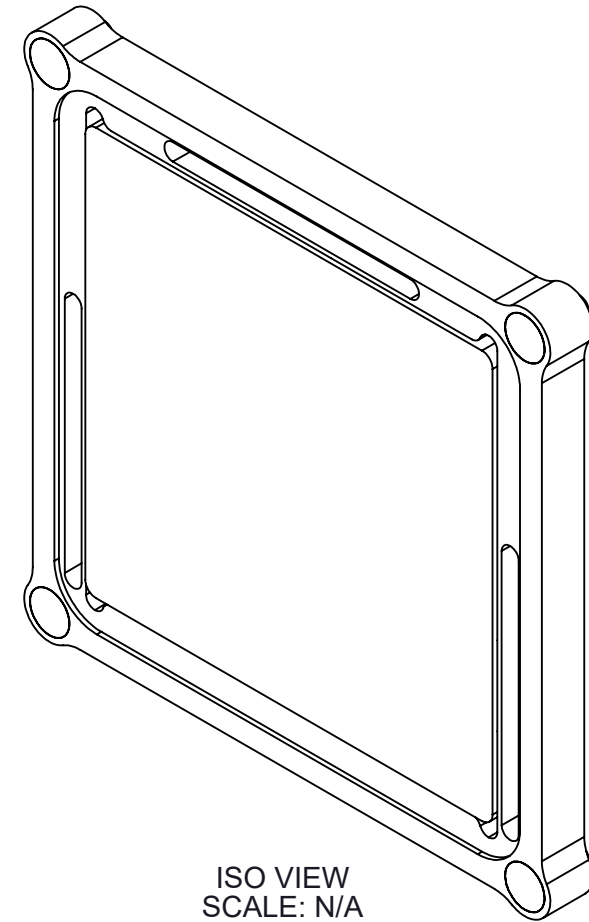
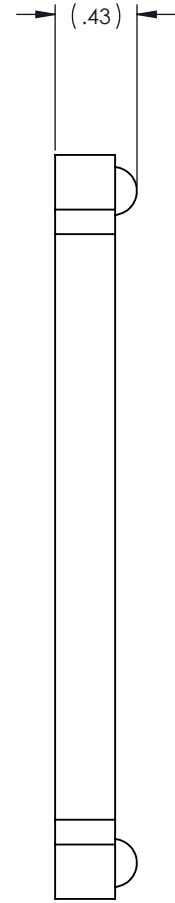
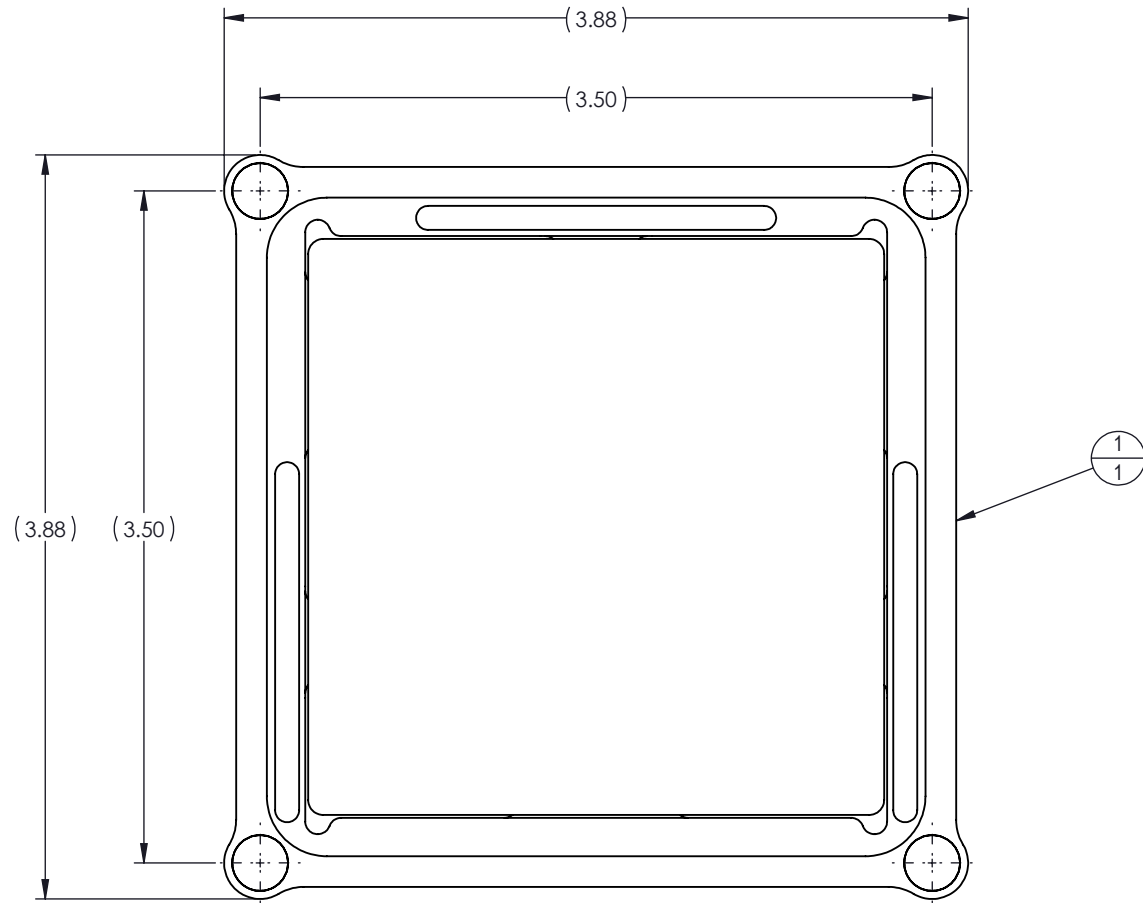
ISO VIEW  
SCALE: N/A

# CGH-S3-C3-BP

ITEM NO.	QTY.	PART NUMBER	DESCRIPTION
1	1	60-00004	ASSY, CGH, S3-C3
2	1	30-00002	BOX, S6 CGH, ABS
3	1	20-00039	ASSY, CASE, 3X3

THIS DOCUMENT CONTAINS INFORMATION WHICH IS PROPRIETARY TO ARIZONA OPTICAL METROLOGY. NO REPRODUCTION OR PUBLICATION OF THIS DOCUMENT, IN WHOLE OR IN PART, SHALL BE MADE WITHOUT WRITTEN AUTHORIZATION FROM ARIZONA OPTICAL METROLOGY.	TOLERANCES			 ARIZONA OPTICAL METROLOGY 2420 W Ruthrauff Rd #160 TUCSON, AZ 85705 Phone: 520-833-5761 Email: info@CGHnulls.com	
	PLACES IN DIMENSION	.X	.XX		.XXX
	DIMENSIONS	±.05	±.01		±.005
	ANGLES	±.5°			
	FRACTIONS	±1/32			
	MATERIAL: N/A				
	HEAT TREAT: N/A				
	FINISH: N/A				
DRAWING STANDARD PER: ASME Y14.5-2009 INTERPRET WELDING SYMBOLS PER AWS A2.4	DESIGN BY: A. CLARK	DATE: 9/8/2022	TITLE <b>CGH, 3-IN SUBSTRATE, C3 CELL</b>		
REMOVE ALL BURRS AND EDGE BREAK .01" MAXIMUM	DRAWN BY: A. CLARK	DATE: 9/8/2022			
 DO NOT SCALE DRAWING	CHECKED BY: J. BEVERAGE	DATE: 2/21/2023	SIZE <b>B</b>	DWG NO. <b>CGH-S3-C3-XX</b>	REV. <b>A</b>
			SCALE 1:1	WEIGHT 0.37 LBS	SHEET 2 OF 3


NOTES, UNLESS OTHERWISE SPECIFIED:  
 1. ITEMS 2 AND 3 ARE NOT SHOWN.



ISO VIEW  
SCALE: N/A

# CGH-S3-C3-BC

ITEM NO.	QTY.	PART NUMBER	DESCRIPTION
1	1	60-00004	ASSY, CGH, S3-C3
2	1	30-00002	BOX, S6 CGH, ABS
3	1	20-00039	ASSY, CASE, 3X3

THIS DOCUMENT CONTAINS INFORMATION WHICH IS PROPRIETARY TO ARIZONA OPTICAL METROLOGY. NO REPRODUCTION OR PUBLICATION OF THIS DOCUMENT, IN WHOLE OR IN PART, SHALL BE MADE WITHOUT WRITTEN AUTHORIZATION FROM ARIZONA OPTICAL METROLOGY.	TOLERANCES			 ARIZONA OPTICAL METROLOGY 2420 W Ruthrauff Rd #160 TUCSON, AZ 85705 Phone: 520-833-5761 Email: info@CGHnulls.com	
	PLACES IN DIMENSION	.X	.XX		.XXX
	DIMENSIONS	±.05	±.01		±.005
	ANGLES	±.5°			
REMOVE ALL BURRS AND EDGE BREAK .01" MAXIMUM	FRACTIONS	±1/32		TITLE <b>CGH, 3-IN SUBSTRATE, C3 CELL</b>	
UNLESS OTHERWISE SPECIFIED: ALL DIMENSIONS ARE IN INCHES AND APPLY AFTER COATING/PLATING.	MATERIAL: N/A				
DRAWING STANDARD PER: ASME Y14.5-2009 INTERPRET WELDING SYMBOLS PER AWS A2.4	HEAT TREAT: N/A	FINISH: N/A		SIZE <b>B</b> DWG NO. <b>CGH-S3-C3-XX</b> REV. <b>A</b>	
DO NOT SCALE DRAWING	DESIGN BY: A. CLARK	DATE: 9/8/2022	SCALE 1:1	WEIGHT 0.37 LBS SHEET 3 OF 3	
	DRAWN BY: A. CLARK	DATE: 9/8/2022			
	CHECKED BY: J. BEVERAGE	DATE: 2/21/2023			