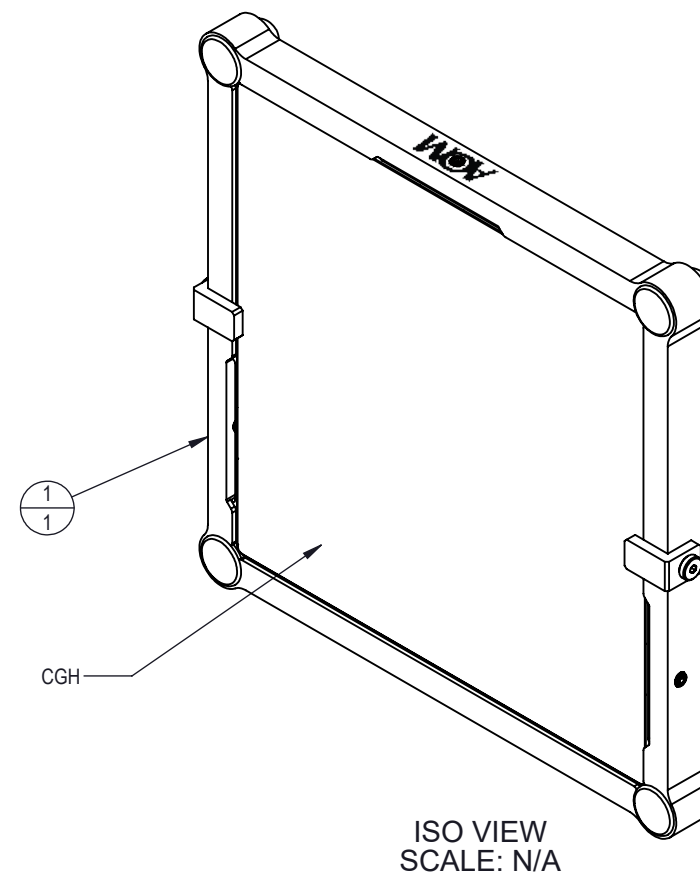
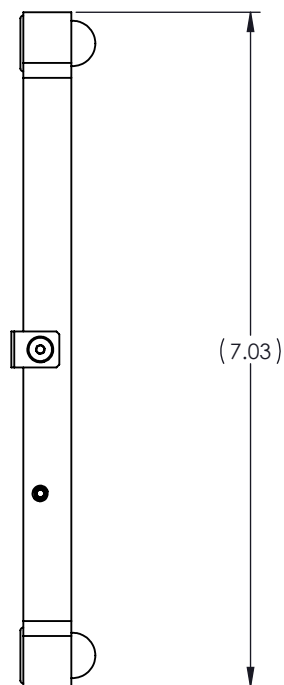
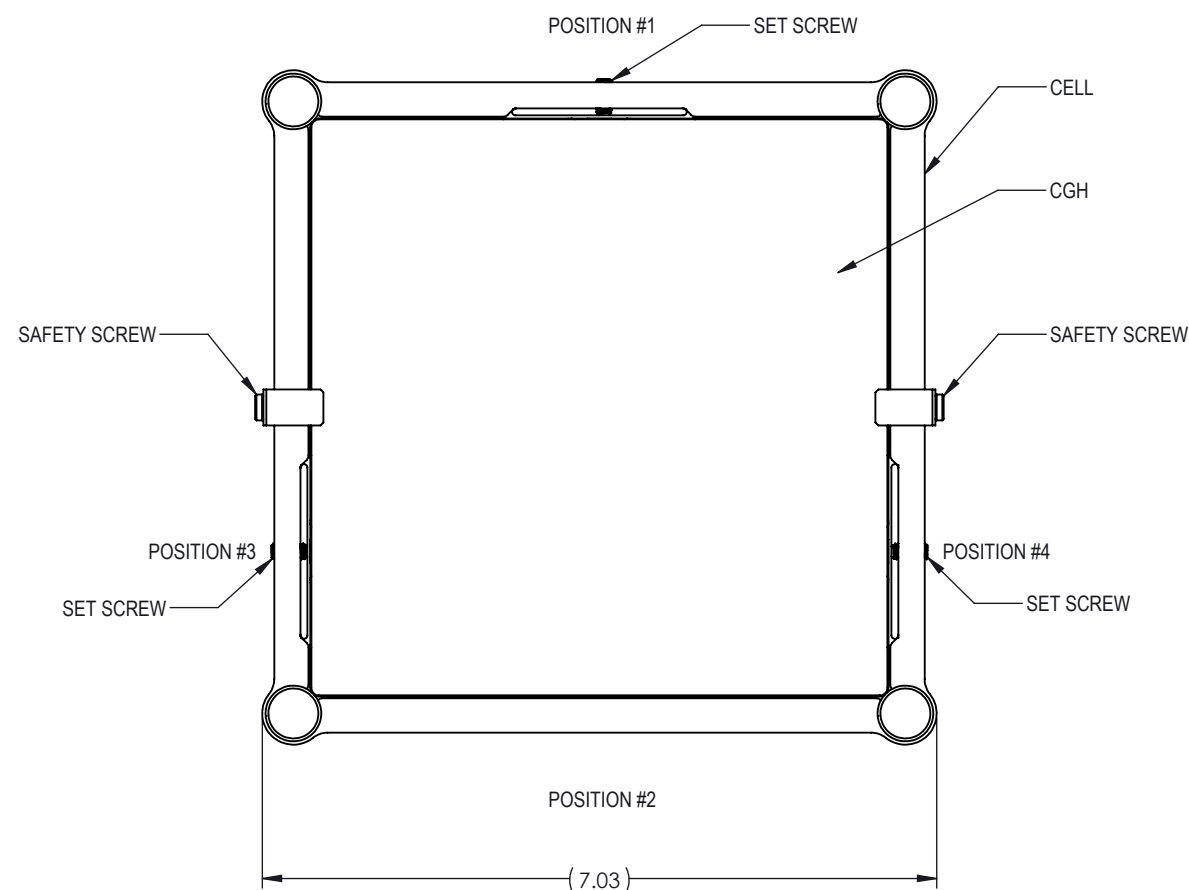




NOTES, UNLESS OTHERWISE SPECIFIED:

1. REQUIRED EQUIPMENT:
 - a. CLEAN WIPE (7" X 7" MINIMUM SIZE)
 - b. TORQUE WRENCH CAPABLE OF 15 IN-OZ AND 9.5 IN-LBS.
 - c. 5/64" DRIVER BIT
2. CGH MOUNTING SPECIFICATIONS:
 - a. REMOVE SAFETY SCREWS AND CLIPS.
 - b. PLACE CGH INTO CELL USING CLEAN WIPE AND GLOVES TO PROTECT GLASS SURFACES.
 - c. ADVANCE SET SCREW IN POSITION #1 TO PUSH CGH TO CONTACT CELL AT POSITION #1 AND #2 (DO NOT TORQUE).
 - d. ADVANCE SET SCREWS EQUALLY IN POSITIONS #3 AND #4 AND TORQUE TO 20 IN-OZ.
 - e. TORQUE SET SCREW IN POSITION #1 TO 20 IN-OZ.
 - f. RE-INSTALL SAFETY CLIPS AND TORQUE SAFETY SCREWS TO 9.5 IN-LBS.
 - g. SHAKE LIGHTLY TO CONFIRM NO CLICKING OR RATTLING SOUNDS.

REV.	DESCRIPTION	DATE	APPROVED
A	INITIAL RELEASE	2/23/2023	A. CLARK



ITEM NO.	QTY.	PART NUMBER	DESCRIPTION
1	1	60-00008	ASSY, CELL, C6R

THIS DOCUMENT CONTAINS INFORMATION WHICH IS PROPRIETARY TO ARIZONA OPTICAL METROLOGY. NO REPRODUCTION OR PUBLICATION OF THIS DOCUMENT, IN WHOLE OR IN PART, SHALL BE MADE WITHOUT WRITTEN AUTHORIZATION FROM ARIZONA OPTICAL METROLOGY.	TOLERANCES			 ARIZONA OPTICAL METROLOGY 2420 W Ruthrauff Rd #160 TUCSON, AZ 85705 Phone: 520-833-5761 Email: info@CGHnulls.com	
	PLACES IN DIMENSION	.X	.XX		.XXX
	DIMENSIONS	±.05	±.01		±.005
	ANGLES	±.5°			
	FRACTIONS	±1/32			
	MATERIAL: N/A				
	HEAT TREAT: N/A				
	FINISH: N/A				
DRAWING STANDARD PER: ASME Y14.5-2009 INTERPRET WELDING SYMBOLS PER AWS A2.4	DESIGN BY: A. CLARK	DATE: 7/25/2022	TITLE CELL, REMOVABLE, 6"		
REMOVE ALL BURRS AND EDGE BREAK .01" MAXIMUM	DRAWN BY: A. CLARK	DATE: 7/25/2022			
 DO NOT SCALE DRAWING	CHECKED BY: J. BEVERAGE	DATE: 2/21/2023	SIZE B	DWG NO. C6R	REV. A
			SCALE 1:2	WEIGHT 1.27 LBS	SHEET 1 OF 1